

# HARDI® PUMP 1203



## General specifications

- Two diaphragm positive displacement pump.
- Base plate incorporated in crankcase.
- Self-priming.
- Can be run dry.
- Can rotate clockwise or anticlockwise.
- Single grease point for lubrication.
- Dry sump to simplify maintenance.
- No special tools needed for maintenance.
- Polyurethane diaphragms and seals.
- Stainless steel diaphragm discs and bolts.
- Cast iron crankcase and covers.
- 1 1/4" suction port, 1" pressure port.
- Recommended to use HARDI® suction and pressure dampers.

### 1203/6.0 (Ref. no. 821629)

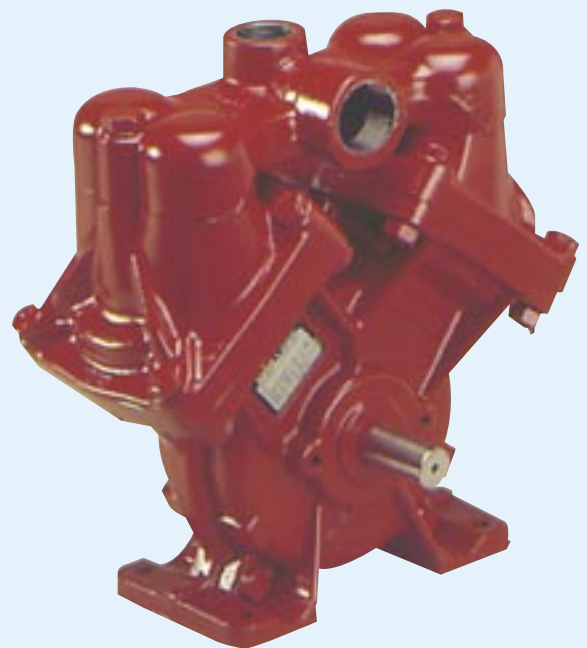
- Tapered shaft for tractor use with HARDI® transmission shaft.
- Normal operating revolutions, 1000 r/min.
- Maximum pressure, 15 bar / 220 PSI.
- Maximum vacuum, 0.22 bar / 3.2 PSI.
- Weight, 25.5 kg / 56 lb.

### 1203/9.0 (Ref. no. 821630)

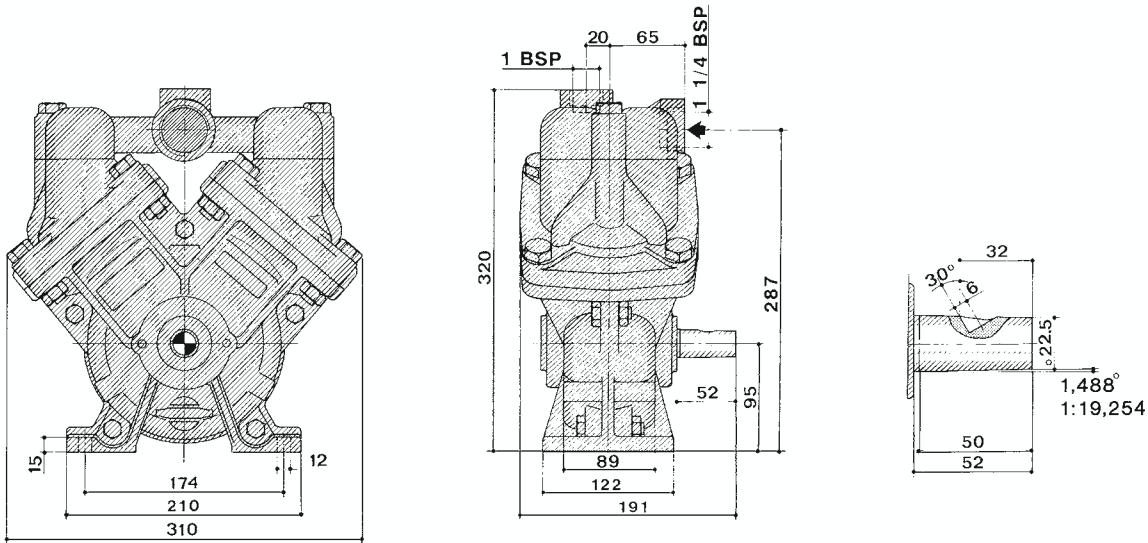
- Tapered shaft for tractor use with HARDI® transmission shaft.
- Normal operating revolutions, 540 r/min.
- Maximum pressure, 15 bar / 220 PSI.
- Maximum vacuum, 0.5 bar / 7.4 PSI.
- Weight, 25.5 kg / 56 lb.



1203 with direct drive unit



1203 pump



mm to in = mm x 0.0394

	r/min	300		400		500		540		600		700		800		900		1000		1100		1200		
	bar	l/min	kW	l/min	kW	l/min	kW			l/min	kW	l/min	kW	l/min	kW	l/min	kW	l/min	kW	l/min	kW	l/min	kW	
<b>1203/6.0</b>	0	36	0.9	47	1.2	58	1.5			71	1.8	83	2.1	93	2.4	101	2.8	108	3.0	115	3.4	128	3.7	
	2	26	1.0	36	1.3	45	1.6			53	1.9	64	2.2	73	2.5	82	2.8	89	3.0	100	3.4	110	3.7	
	4	24	1.0	32	1.3	40	1.6			48	1.9	57	2.2	64	2.5	71	2.8	77	3.1	88	3.5	92	3.7	
	6	23	1.0	31	1.3	39	1.6			46	1.9	53	2.2	60	2.5	68	2.8	74	3.2	82	3.5	87	3.8	
	10	22	1.2	30	1.4	37	1.7			43	2.0	51	2.2	57	2.6	64	2.9	70	3.2	77	3.6	82	3.9	
	15	21	1.3	28	1.5	35	1.8			42	2.1	48	2.4	54	2.8	61	3.2	66	3.5	72	3.9	77	4.1	
		PSI	gpm	Hp	gpm	Hp	gpm	Hp			gpm	Hp	gpm	Hp	gpm	Hp	gpm	Hp	gpm	Hp	gpm	Hp	gpm	Hp
		0	9.5	1.2	12.4	1.6	15.3	2.0			18.7	2.4	21.9	2.8	24.6	3.2	26.7	3.8	28.5	4.0	30.4	4.6	33.8	5.0
		29	6.9	1.3	9.5	1.7	11.9	2.1			14.0	2.5	16.9	3.0	19.3	3.4	21.6	3.8	23.5	4.0	26.4	4.6	29.0	5.0
	58	6.3	1.3	8.4	1.7	10.6	2.1			12.7	2.5	15.0	3.0	16.9	3.4	18.7	3.8	20.3	4.2	23.2	4.7	24.3	5.0	
	88	6.1	1.3	8.2	1.7	10.3	2.1			12.1	2.5	14.0	3.0	15.8	3.4	18.0	3.8	19.5	4.3	21.6	4.7	23.0	5.1	
	147	5.8	1.6	7.9	1.9	9.8	2.3			11.4	2.7	13.5	3.0	15.0	3.5	16.9	3.9	18.5	4.3	20.3	4.8	21.6	5.2	
	220	5.5	1.7	7.4	2.0	9.2	2.4			11.1	2.8	12.7	3.2	14.3	3.8	16.1	4.3	17.4	4.7	19.0	5.2	20.3	5.5	
<b>1203/9.0</b>																								
		bar	l/min	kW	l/min	kW	l/min	kW	l/min	kW	l/min	kW	l/min	kW										
		0	56	0.9	72	1.3	93	1.5	99	1.6	112	1.8	130	2.1										
		2	40	1.0	55	1.3	70	1.6	75	1.7	83	1.8	96	2.1										
		4	40	1.1	54	1.3	66	1.6	72	1.7	80	1.8	93	2.2										
		6	40	1.1	53	1.4	65	1.6	71	1.7	79	1.9	91	2.2										
		10	38	1.4	52	1.7	64	1.8	69	1.9	77	2.1	88	2.5										
		15	37	1.6	50	2.0	62	2.3	67	2.5	75	2.8	86	3.3										
		PSI	gpm	Hp	gpm	Hp	gpm	Hp	gpm	Hp	gpm	Hp	gpm	Hp										
	0	14.8	1.2	19.0	1.7	24.6	2.0	26.1	2.1	29.6	2.4	34.3	2.8											
	29	10.6	1.3	14.5	1.7	18.5	2.1	19.8	2.3	21.9	2.4	25.3	2.8											
	58	10.6	1.5	14.3	1.7	17.4	2.1	19.0	2.3	21.1	2.4	24.6	3.0											
	88	10.6	1.5	14.0	1.9	17.2	2.1	18.7	2.3	20.9	2.5	24.0	3.0											
	147	10.0	1.9	13.7	2.3	16.9	2.4	18.2	2.5	20.3	2.8	23.2	3.4											
	220	9.8	2.1	13.2	2.7	16.4	3.1	17.7	3.4	19.8	3.8	22.7	4.4											

Model/stroke Pump model and pump stroke in millimetre.  
r/min Maximum revolutions per minute is indicated by the highest figure.  
Bar / PSI Maximum pressure is indicated by the highest figure.  
kW / Hp Power consumption in kilowatt and horsepower.  
l/min / gpm Capacity in litres and US gallons per minute at zero suction lift.

### HARDI® INC.

HARDI® MIDWEST 1500 WEST 78th STREET DAVENPORT, IA 52806  
Phone: (563) 386-1730 Fax: (563) 386-1710  
http://www.hardi-us.com

HARDI® WEST COAST 8550 W. ROOSEVELT AVENUE VISALIA, CA 93291  
Phone: (559) 651-4016 Fax: (559) 651-4160

HARDI® GREAT LAKES 290 SOVEREIGN ROAD LONDON, ON N6M 1B3  
Phone: (519) 659-2771 Fax: (519) 659-2821

HIA-MARKETING  
US-890625-05-2003