

# HARDI® PUMP 603



## General specifications

- Compact two diaphragm positive displacement pump.
- Low power consumption.
- Self-priming.
- Can be run dry.
- Can rotate clockwise or anticlockwise.
- Single grease point for lubrication.
- Dry sump to simplify maintenance.
- No special tools needed for maintenance.
- Polyurethane diaphragms and seals.
- Cast iron crankcase and covers.
- $\frac{3}{4}$ " suction port,  $\frac{3}{4}$ " pressure port.
- Recommended to use HARDI® suction and pressure dampers.

### 603/4.0 (Ref. no. 821625)

- Cylindrical shaft, 25 mm / 0.98".
- For combustion and electric engine use.
- Supplied with narrow base plate.
- Normal operating revolutions, 800 r/min.
- Maximum pressure, 15 bar / 220 PSI.
- Maximum vacuum, 0.85 bar / 12.5 PSI.
- Weight, 14.8 kg / 33 lb.

### 603/7.0 (Ref. no. 821624)

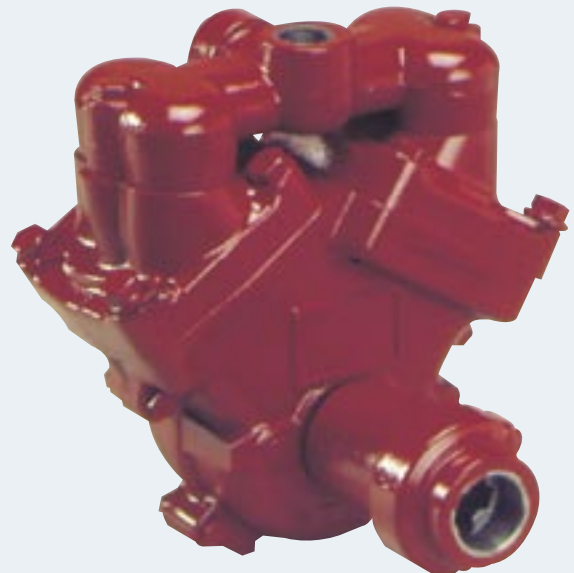
- Tapered shaft.
- For tractor use with HARDI® transmission shaft.
- Supplied with wide base plate.
- Normal operating revolutions, 540 r/min.
- Maximum pressure, 15 bar / 220 PSI.
- Maximum vacuum, 0.91 bar / 13.4 PSI.
- Weight, 15.4 kg / 34 lb.

### 603/7.0 (Ref. no. 821623)

- Tapered shaft.
- With 6-splined coupling for tractor P.T.O. shaft.
- Normal operating revolutions, 540 r/min.
- Maximum pressure, 15 bar / 220 PSI.
- Maximum vacuum, 0.91 bar / 13.4 PSI.
- Weight: 16.2 kg / 36 lb.

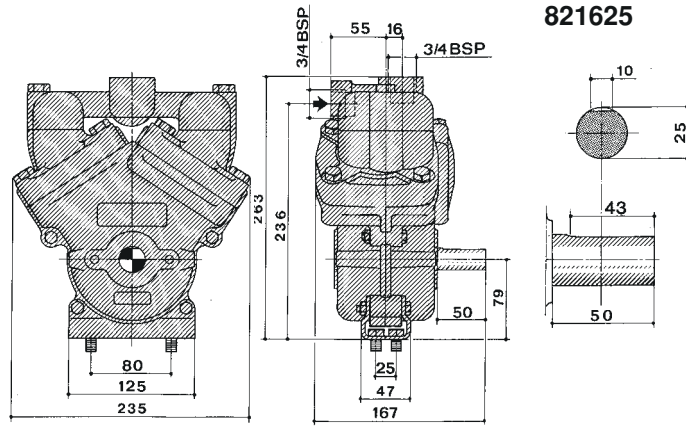


603/7.0 on an industrial cleaner

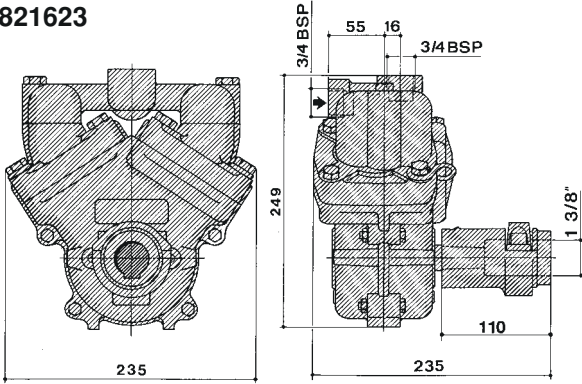


603/7.0 with PTO coupling

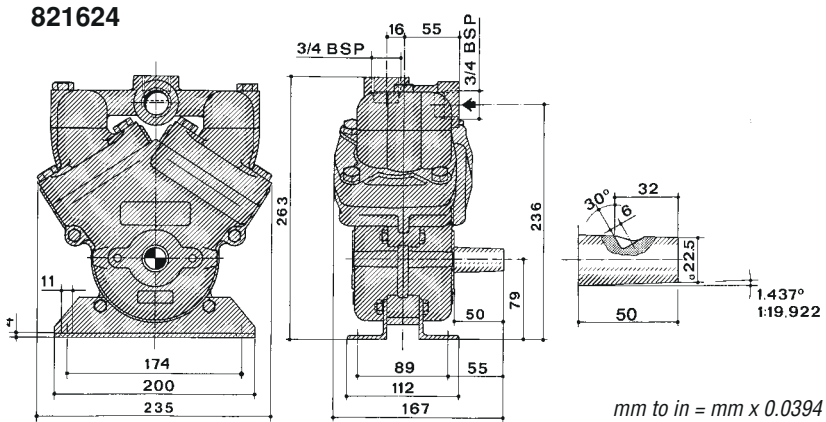
821625



821623



821624



mm to in = mm x 0.0394

	r/min		300		400		500		540		600		700		800		900		1000	
	bar	l/min	kW	l/min	kW	l/min	kW	l/min	kW	l/min	kW	l/min	kW	l/min	kW	l/min	kW	l/min	kW	
<b>603/4.0</b>	0	9	0.1	12	0.2	16	0.2			20	0.3	23	0.4	26	0.5	29	0.6	32	0.7	
	2	9	0.2	12	0.2	15	0.3			18	0.4	21	0.5	24	0.6	27	0.7	30	0.8	
	4	9	0.2	12	0.3	15	0.4			18	0.5	21	0.6	24	0.7	27	0.8	29	0.9	
	6	9	0.3	12	0.4	14	0.5			17	0.6	20	0.7	23	0.8	26	0.9	29	1.1	
	10	8	0.4	11	0.5	14	0.6			17	0.8	19	0.9	22	1.1	25	1.2	28	1.4	
	15	8	0.5	11	0.6	13	0.8			16	1.0	18	1.2	21	1.3	24	1.5	27	1.7	
	PSI	gpm	hp	gpm	hp	gpm	hp			gpm	hp	gpm	hp	gpm	hp	gpm	hp	gpm	hp	
	0	2.4	0.1	3.2	0.3	4.2	0.3			5.3	0.4	6.1	0.5	6.9	0.7	7.7	0.8	8.4	0.9	
	29	2.4	0.3	3.2	0.3	4.0	0.4			4.8	0.5	5.5	0.7	6.3	0.8	7.1	0.9	7.9	1.1	
	58	2.4	0.3	3.2	0.4	4.0	0.5			4.8	0.7	5.5	0.8	6.3	0.9	7.1	1.1	7.7	1.2	
88	2.4	0.4	3.2	0.5	3.7	0.7			4.5	0.8	5.3	0.9	6.1	1.1	6.9	1.2	7.7	1.5		
147	2.1	0.5	2.9	0.7	3.7	0.8			4.5	1.1	5.0	1.2	5.8	1.5	6.6	1.6	7.4	1.9		
220	2.1	0.7	2.9	0.8	3.4	1.1			4.2	1.3	4.8	1.6	5.5	1.7	6.3	2.0	7.1	2.3		
<b>603/7.0</b>	bar	l/min	kW	l/min	kW	l/min	kW	l/min	kW	l/min	kW	l/min	kW							
	0	18	0.2	24	0.3	29	0.4	31	0.4	34	0.5	40	0.6							
	2	17	0.3	23	0.4	28	0.5	30	0.5	33	0.6	39	0.7							
	4	17	0.4	22	0.5	27	0.6	29	0.7	33	0.7	38	0.9							
	6	16	0.5	22	0.6	27	0.8	29	0.8	33	0.9	38	1.1							
	10	16	0.7	21	0.8	27	1.1	29	1.2	32	1.3	37	1.6							
	15	16	1.0	21	1.2	26	1.6	28	1.7	31	1.9	37	2.2							
	PSI	gpm	hp	gpm	hp	gpm	hp	gpm	hp	gpm	hp	gpm	hp							
	0	4.8	0.3	6.3	0.4	7.7	0.5	8.2	0.5	9.0	0.7	10.6	0.8							
	29	4.5	0.4	6.1	0.5	7.4	0.7	7.9	0.7	8.7	0.8	10.3	0.9							
58	4.5	0.5	5.8	0.7	7.1	0.8	7.7	0.9	8.7	0.9	10.0	1.2								
88	4.2	0.7	5.8	0.8	7.1	1.1	7.7	1.1	8.7	1.2	10.0	1.5								
147	4.2	0.9	5.5	1.1	7.1	1.5	7.7	1.6	8.4	1.7	9.8	2.1								
220	4.2	1.3	5.5	1.6	6.9	2.1	7.4	2.3	8.2	2.5	9.8	3.0								

Model/stroke  
r/min  
Bar / PSI  
kW / Hp  
l/min / gpm

Pump model and pump stroke in millimetre.  
Maximum revolutions per minute is indicated by the highest figure.  
Maximum pressure is indicated by the highest figure.  
Power consumption in kilowatt and horsepower.  
Capacity in litres and US gallons per minute at zero suction lift.

**HARDI® INC.**

HARDI® MIDWEST 1500 WEST 76th STREET DAVENPORT, IA. 52806 Phone: (563) 386-1730 Fax: (563) 386-1710  
HARDI® WEST COAST 8550 W. ROOSEVELT AVENUE VISALIA, CA 93291 Phone: (559) 651-4016 Fax: (559) 651-4160  
HARDI® GREAT LAKES 290 SOVEREIGN ROAD LONDON, ON N6M 1B3 Phone: (519) 659-2771 Fax: (519) 659-2821  
<http://www.hardi-us.com>